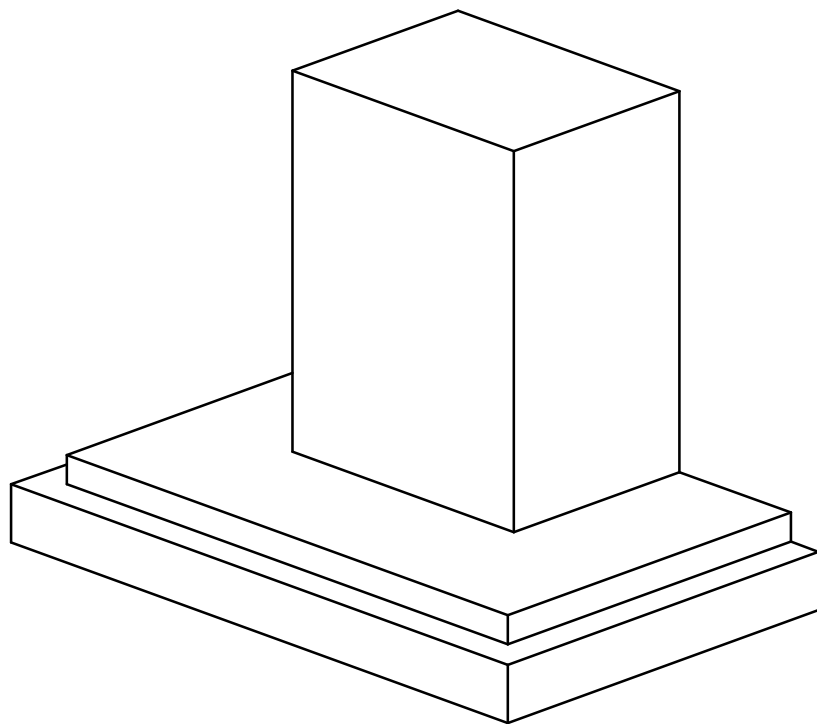


Professional Series Model PS19



MODERN-AIRE'S PROFESSIONAL SERIES RANGE HOODS

are manufactured to ventilate today's demanding residential commercial ranges. All PS series hoods include your choice of centrifugal blower motors ranging from 600 cfm to 1200 cfm internally. PS series canopies can also be ordered for use with an inline 1266 cfm fan or a exterior 1400 cfm roof or wall mounted blower unit. Infinite speed control provides total control over you ventilation needs. Bright beautiful halogen lighting provides full cooktop illumination and is standard on all PS series range hoods. You control the amount of lighting you need, from full bright to a safety light at night with a built in dimmer control switch. PS series hoods also include baffle filters to extract grease while preventing the passage of flames into the interior of the hood.

Stainless Steel, Powder Coat, Copper, Brass, Oil Rubbed Bronze, Blackened Steel

Dishwasher Safe 300 Series Stainless Steel Baffle Filters

Simulated Seamless Construction

Infinite Speed Motor Control

Dimmer Controlled Halogen Lighting

Top Vent or Rear Vent

Ductless/ Recirculating Configuration Available

Can Be Custom Manufactured to Meet The Exact Requirements Of Your Kitchen

Modern- Aire Ventilating, Inc.



Since 1956

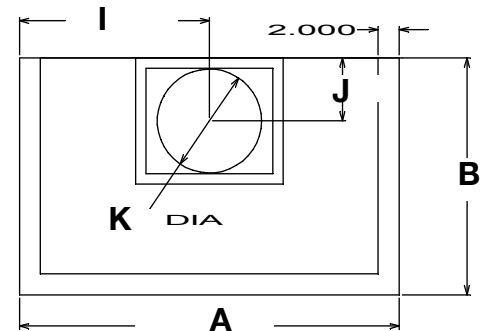
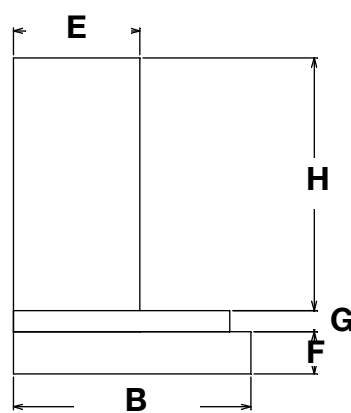
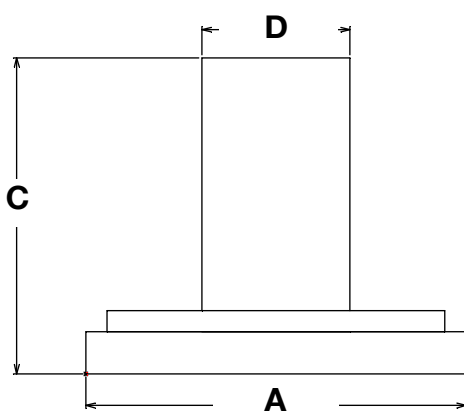
7319 Lankershim Blvd. North Hollywood, Ca 91605

818/765-9870 T 818-765-4916 F www.modernaire.com

Professional Series Model PS19

PROFESSIONAL SERIES VENTILATION CANOPY SPECIFICATIONS 115V 10A 60HZ

MODEL #	A	B	C	D	E	F	G	H	I	J	K	CFM	AMPS
PS1930-130	30"	24"	30"	16"	14"	4"	2"	24"	15"	4 1/2"	6 7/8"	400	5A
PS1930-136	36"	24"	30"	16"	14"	4"	2"	24"	18"	4 1/2"	6 7/8"	400	5A
PS1930-142	42"	24"	30"	16"	14"	4"	2"	24"	21"	4 1/2"	6 7/8"	400	5A
PS1930-148	48"	24"	30"	16"	14"	4"	2"	24"	24"	4 1/2"	6 7/8"	400	5A
PS1930-230	30"	24"	30"	16"	14"	4"	2"	24"	15"	5"	7 7/8"	600	5A
PS1930-236	36"	24"	30"	16"	14"	4"	2"	24"	18"	5"	7 7/8"	600	5A
PS1930-242	42"	24"	30"	16"	14"	4"	2"	24"	21"	5"	7 7/8"	600	5A
PS1930-248	48"	24"	30"	16"	14"	4"	2"	24"	24"	5"	7 7/8"	600	5A
PS1930-330	30"	24"	30"	24"	14"	4"	2"	24"	15"	6"	9 7/8"	1200	8A
PS1930-336	36"	24"	30"	24"	14"	4"	2"	24"	18"	6"	9 7/8"	1200	8A
PS1930-342	42"	24"	30"	24"	14"	4"	2"	24"	21"	6"	9 7/8"	1200	8A
PS1930-348	48"	24"	30"	24"	14"	4"	2"	24"	24"	6"	9 7/8"	1200	8A
PS1930-354	54"	24"	30"	24"	14"	4"	2"	24"	27"	6"	9 7/8"	1200	8A
PS1930-030	30"	24"	30"	16"	14"	4"	2"	24"	15"	6"	9 7/8"	**	10A
PS1930-036	36"	24"	30"	16"	14"	4"	2"	24"	18"	6"	9 7/8"	**	10A
PS1930-042	42"	24"	30"	16"	14"	4"	2"	24"	21"	6"	9 7/8"	**	10A
PS1930-048	48"	24"	30"	16"	14"	4"	2"	24"	24"	6"	9 7/8"	**	10A
PS1930-054	54"	24"	30"	16"	14"	4"	2"	24"	27"	6"	9 7/8"	**	10A
PS1930-060	60"	24"	30"	16"	14"	4"	2"	24"	30"	6"	9 7/8"	**	10A



**FOR USE WITH EXTERIOR OR INLINE BLOWERS
CFM BASED UPON CONNECTED BLOWERS OUTPUT